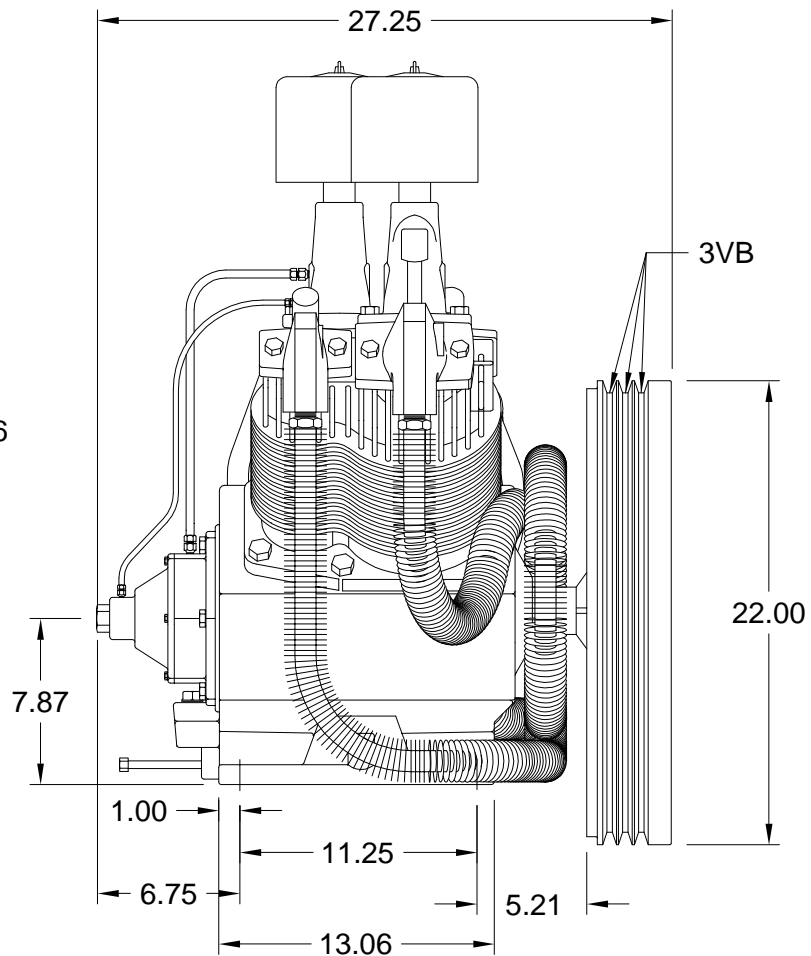
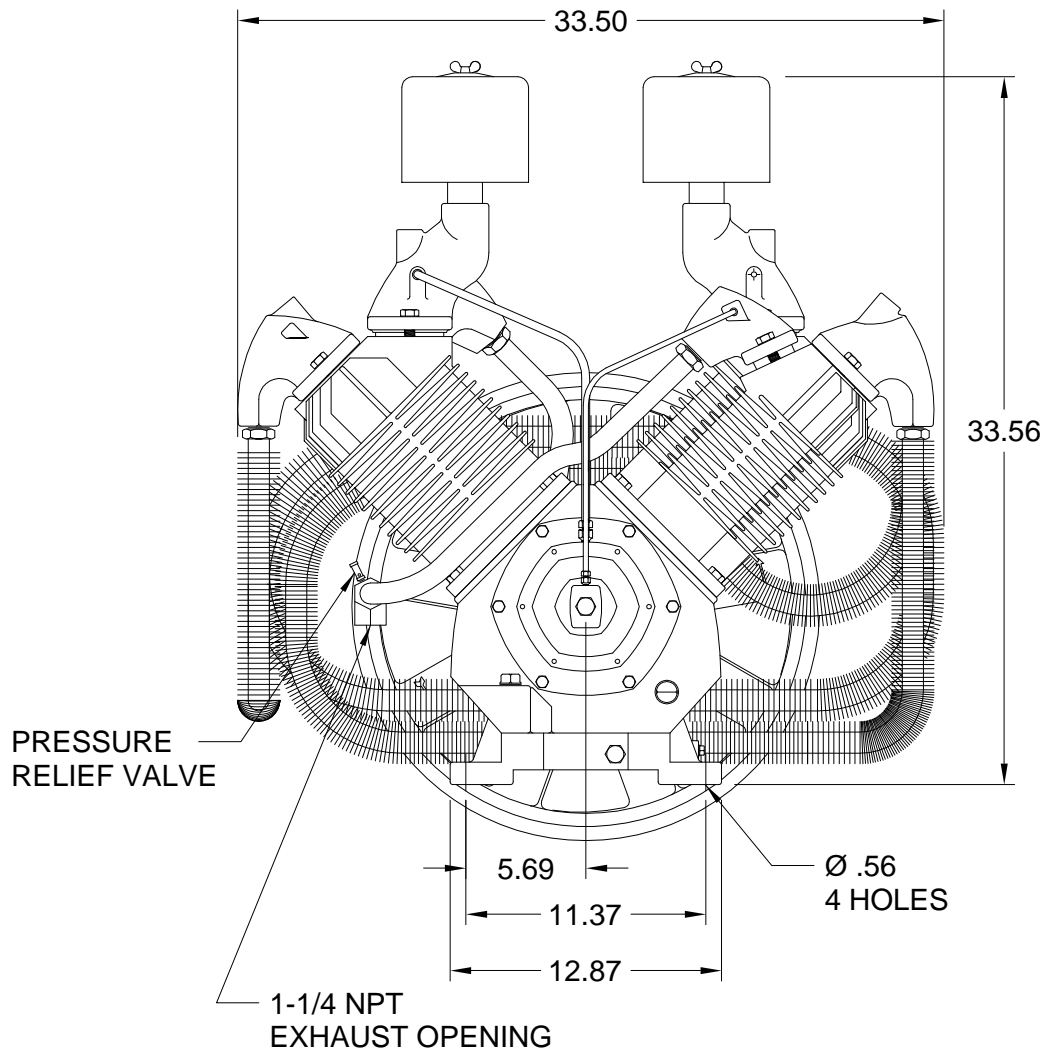


NOTES:

- 1..DO NOT SCALE PRINT, TYPICAL DIMENSIONS ONLY.
- 2..SPECIFICATIONS AND DIMENSIONS ARE SUBJECT TO CHANGE WITHOUT NOTICE OR OBLIGATION.
- 3..ALL DIMENSIONS IN INCHES.

**UNCONTROLLED
COPY**



NOTICE:

REFERENCE DRAWING ONLY MAY NOT INCLUDE SPECIFIC ACCESSORY ITEMS FOR ANY PARTICULAR ORDER.

CHAMPION - A GARDNER DENVER COMPANY

UNIT MODEL	PRINT NO.:
	DD-B-150
R70A PUMP	DRAWN BY: G.S.
	DATE: 02-21-1989
	CHK'D BY:
	DATE: