

NOTES:

1. FOUNDATION OR FLOOR MUST BE LEVEL AND SUPPORT ALL FEET EQUALLY; IF NECESSARY SHIM OR GROUT THE THIRD FOOT.
2. FOUNDATION BOLTS SHOULD PROJECT THRU NUTS AT LEAST 1/2" TO ALLOW FOR LEVELING.
3. ALL UNSPECIFIED TOLERANCES:  
 XXX = ±.12  
 XX = ±.25  
 X = ±.50

4. ALLOW AT LEAST 12.00" CLEARANCE MIN. ON ALL SIDES FOR PROPER AIR CIRCULATION.
5. \* = ADD 3.00" WHEN AUTOMATIC CONDENSATE DRAIN VALVE IS SUPPLIED.
6. APPROXIMATE WEIGHT 500 LBS.
7. UNITS WITHOUT AFTERCOOLERS WILL HAVE WIRE BELTGUARDS INSTALLED

D

C

B

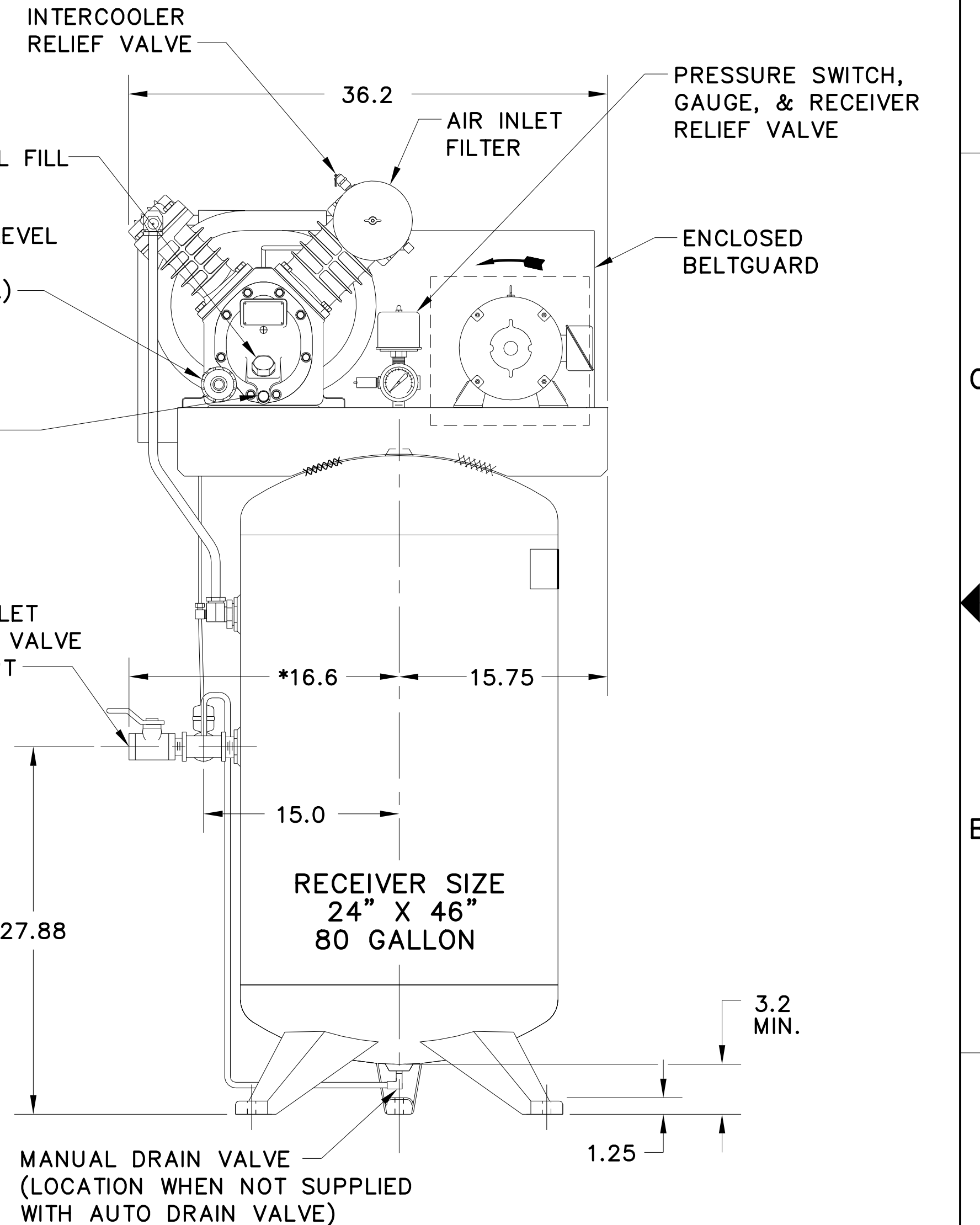
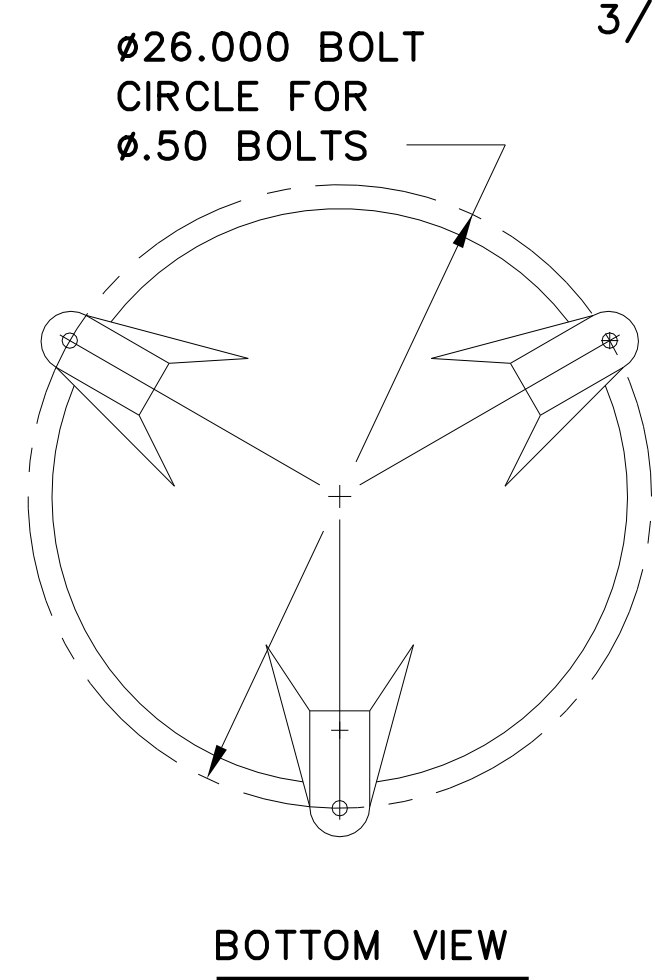
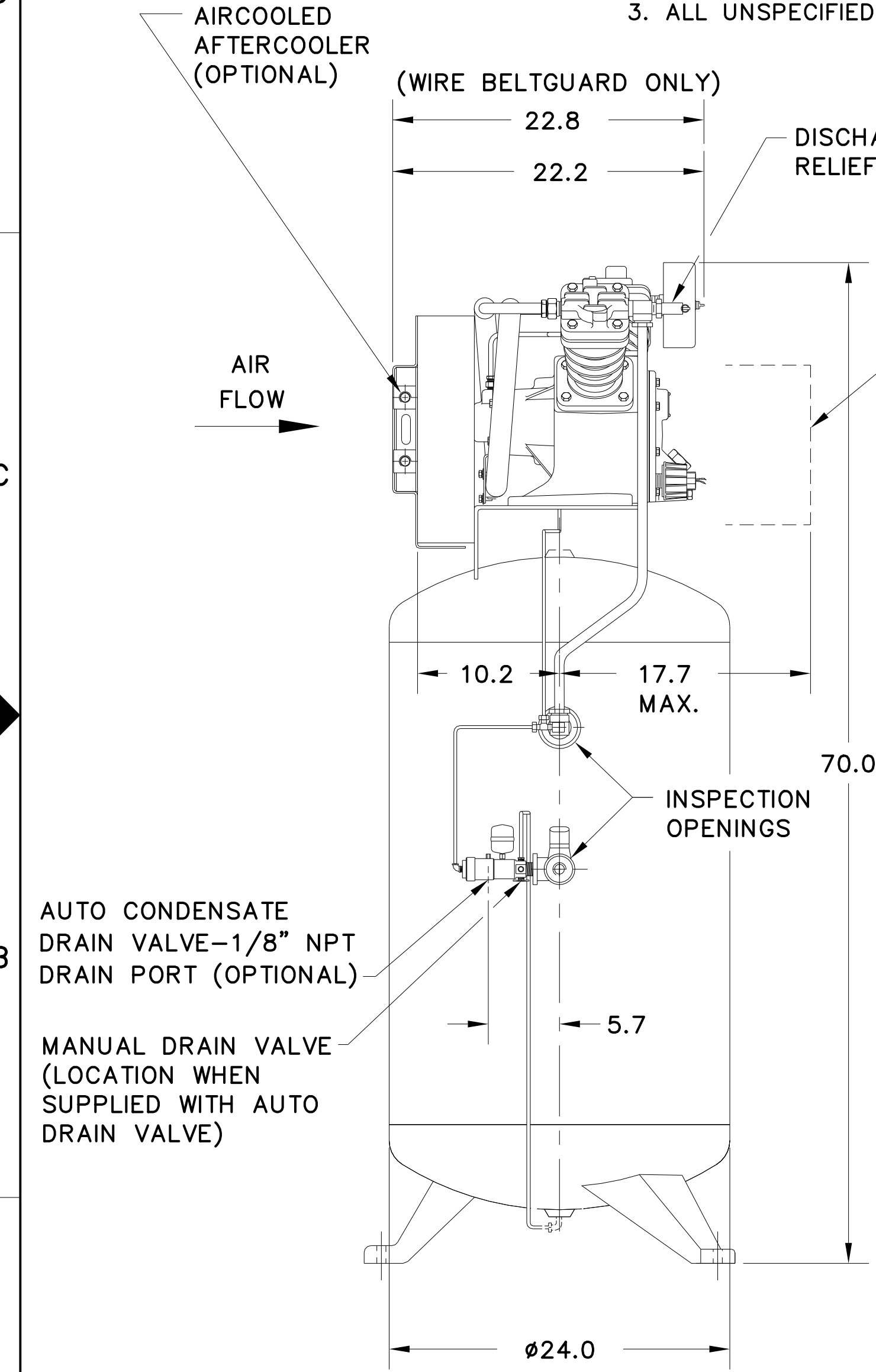
A

D

C

B

A



APPROVED FOR:

IR ORDER NO. \_\_\_\_\_

CUSTOMER: \_\_\_\_\_

CUSTOMER ORDER NO. \_\_\_\_\_

PER: \_\_\_\_\_ DATE: \_\_\_\_\_

SIZE: \_\_\_\_\_

MODEL: \_\_\_\_\_

PISTON DISPLACEMENT CFM: \_\_\_\_\_

SPEED RPM: \_\_\_\_\_

DISCHARGE PRESSURE RATING-PSIG: \_\_\_\_\_

ACTUAL DELIVERY-CFM FREE AIR: \_\_\_\_\_

REGULATION: \_\_\_\_\_

JOB: \_\_\_\_\_ SPEC: \_\_\_\_\_

ITEM: \_\_\_\_\_ CONTRACTOR: \_\_\_\_\_

ARCH.ENGR.: \_\_\_\_\_

MTR. H.P.: \_\_\_\_\_ MTR. ENCL.: \_\_\_\_\_

MTR. VOLTS: \_\_\_\_\_ PH: \_\_\_\_\_ HZ: \_\_\_\_\_

STARTER TYPE: \_\_\_\_\_

PROPRIETARY NOTICE

THIS DOCUMENT CONTAINS CONFIDENTIAL AND TRADE SECRET INFORMATION, IS THE PROPERTY OF INGERSOLL-RAND COMPANY, AND IS GIVEN TO THE RECEIVER IN CONFIDENCE. THE RECEIVER BY RECEPTION AND RETENTION OF THE DOCUMENT ACCEPTS THE DOCUMENT IN CONFIDENCE AND AGREES THAT, EXCEPT AS AUTHORIZED IN WRITING BY INGERSOLL-RAND COMPANY, IT WILL (1) NOT USE THE DOCUMENT OR ANY COPY THEREOF OR THE CONFIDENTIAL OR TRADE SECRET INFORMATION THEREIN; (2) NOT COPY THE DOCUMENT; (3) NOT DISCLOSE TO OTHERS EITHER THE DOCUMENT OR THE CONFIDENTIAL OR TRADE SECRET INFORMATION THEREIN; AND (4) UPON COMPLETION OF THE NEED TO RETAIN THE DOCUMENT, OR UPON DEMAND, RETURN THE DOCUMENT, ALL COPIES THEREOF, AND ALL MATERIAL COPIED THEREFROM.

Copyright © 1992  
 Ingersoll-Rand Company  
 All Rights Reserved

WARNING: The export or reexport of this drawing or a product produced by this drawing is subject to U.S. Export Administration Regulations and other applicable governmental restrictions or regulations.

THIRD ANGLE PROJECTION

SCALE N/A

DATE 6/13/96

DRAWN QCD

CHECKED \_\_\_\_\_

DSN. APP \_\_\_\_\_

ENGR. APP \_\_\_\_\_

INGERSOLL-RAND Co.

SMALL COMPRESSOR DIVISION  
 CAMPBELLVILLE, KY

REF. 2475N7.5

TITLE GENERAL ARRANGEMENT

SIZE C

DWG NO. GA2811300

REV 01

SHEET 1 OF 1